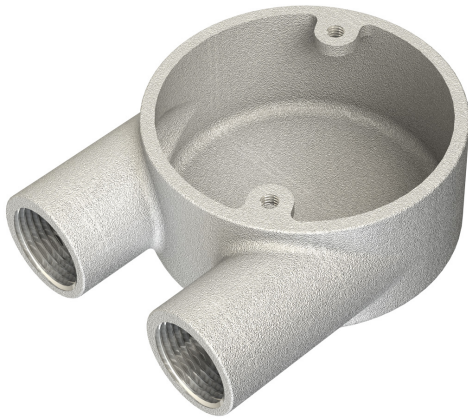


**PRODUCT CODE: MB13G**  
MALLEABLE CONDUIT BOX



**DESCRIPTION**

25mm Malleable Branch U Conduit Box

**FINISH**

Hot Dipped Galvanised

**MATERIAL**

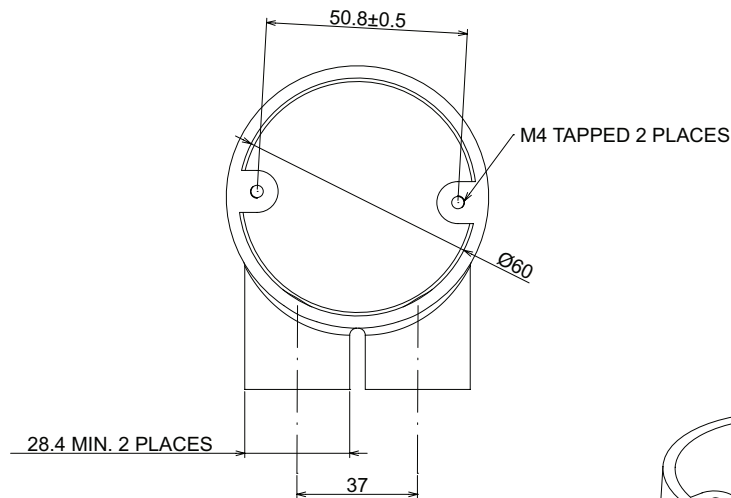
Malleable Iron

**PACKAGING**

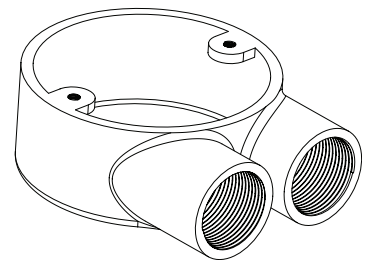
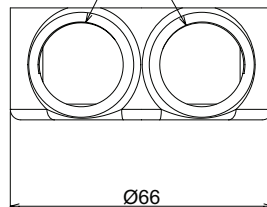
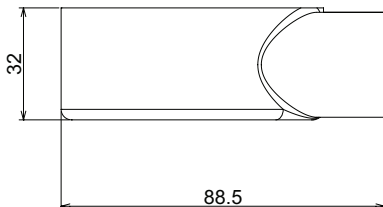
Packed in qty 10

**ADDITIONAL NOTES**

Conforms to BS EN61386-1:2008  
Compliant to LU Standard 1-085 (for use on surface & sub-surface locations)



M25 CONDUIT THREAD 16mm DEEP 2 PLACES



⊕ Values are nominal and with a general tolerance ±5% unless otherwise specified